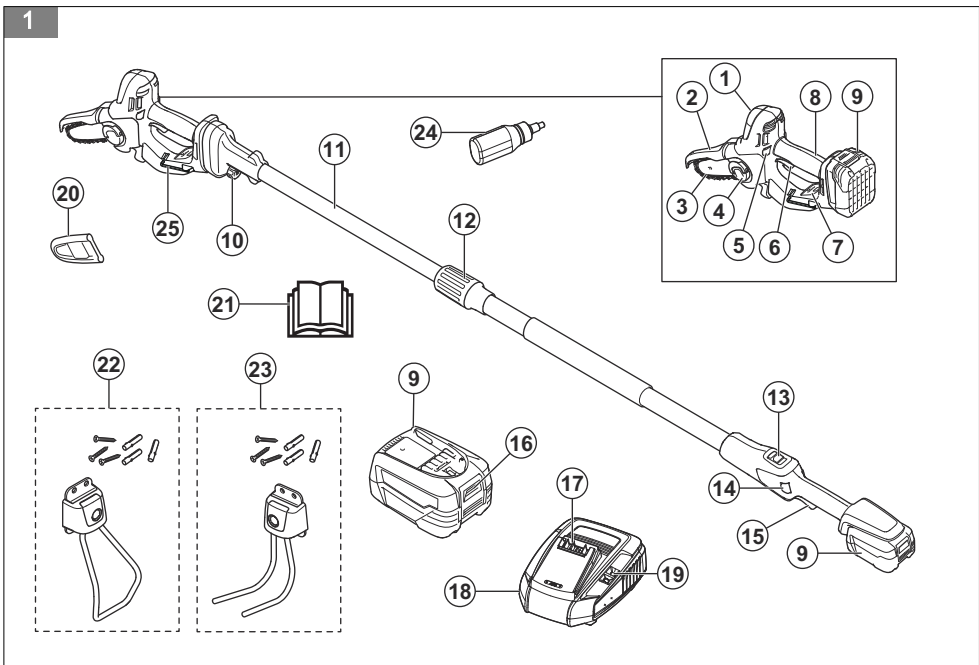


 **Husqvarna**[®]



1



(Fig. 1)

1. Pruner
2. Saw chain guard
3. Guide bar
4. Locking knob for protective cover
5. Power trigger lockout, pruner
6. Power trigger, pruner
7. User interface
8. Main handle, pruner
9. Battery
10. Locking knob for pruner
11. Shaft
12. Telescopic function
13. Lock button
14. Power trigger, pole pruner
15. Power trigger lockout, pole pruner
16. Battery release button
17. Connector
18. Battery charger
19. Power on and warning indicator
20. Transport guard
21. Operator's manual
22. Hook for pruner, screws and wall plugs
23. Hook for pole pruner, screws and wall plugs
24. Bio chain oil
25. Hex key

Symbols on the product

- (Fig. 2) **WARNING:** This product can be dangerous and cause serious injury or death to the operator or others. Be careful and use the product correctly.
- (Fig. 3) Read the operator's manual carefully and make sure that you understand the instructions before you use the product.
- (Fig. 4) For Aspire P5-P4A: Use approved eye protection.
- (Fig. 5) For Aspire PE5-P4A: Use a protective helmet in locations where objects can fall on you. Use approved hearing protection. Use approved eye protection.
- (Fig. 6) Use approved protective gloves.
- (Fig. 7) Use heavy-duty slip-resistant boots. (Only applicable for the pole pruner.)
- (Fig. 8) Direct current.
- (Fig. 9) Rated voltage, V
- (Fig. 10) Do not expose to rain.
- (Fig. 11) Chain oil fill.